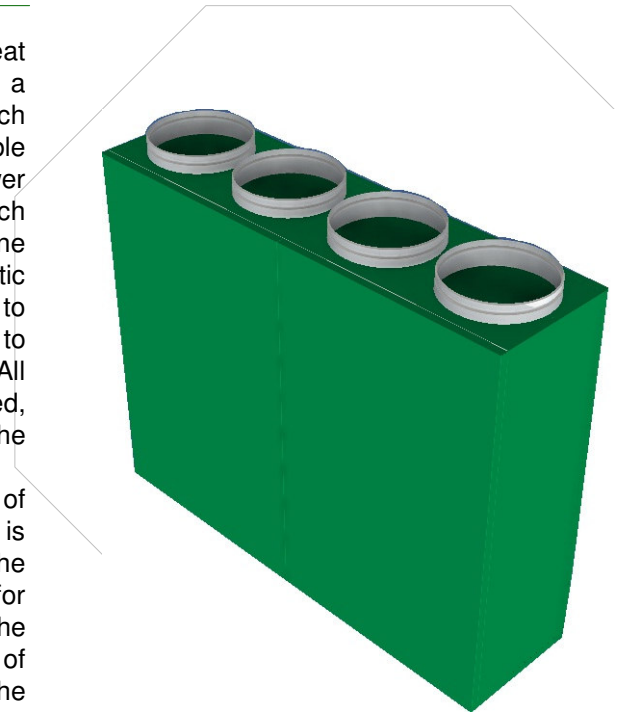


**FAN UNIT****MODEL**  
**ECO1400****CODE**  
**VCVR140V****DESCRIPTION**

The range consists of a double flow ventilation unit with heat recovery with high efficiency. The machines are equipped with a heat exchanger in counterflow laminar flow polypropylene which guarantees high efficiency (over 90%) in the recovery of sensible heat, centrifugal fans with EC motor paddle back to low power consumption and low noise levels. The body is made of sandwich panels with double pane insulating inner high-density polyurethane or rock wool, which ensures optimal thermal and acoustic performance. Each version has a bypass for the summer-cooling to trigger manual or automatic and shall include antifreeze time to defrost the package if the exchange reached a critical condition. All units, as well as being customizable with all the accessories offered, are complete with electronic board for the management of the operating parameters, controllable in Plug & Play mode.

For this model ECO500, the filters are of class G4 on the flow of extraction and class F7 on the flow of input. The exterior finish is glossy green color prepainted galvanized and RAL 6005 inside the unit. It's reduced thickness makes it particularly suitable for applications requiring a fixture at wall. This model has the attachments on the same side outside / inside on the upper part of the machine itself and the inspection from the bottom through the removable panel.

**APPLICATIONS**

Units with areas up to about **1030 square meters\***  
Installing at wall \*\*

\* With sizing reported in 0.5 vol / h.

\*\* Provide a space for inspection

**PREROGATIVE**

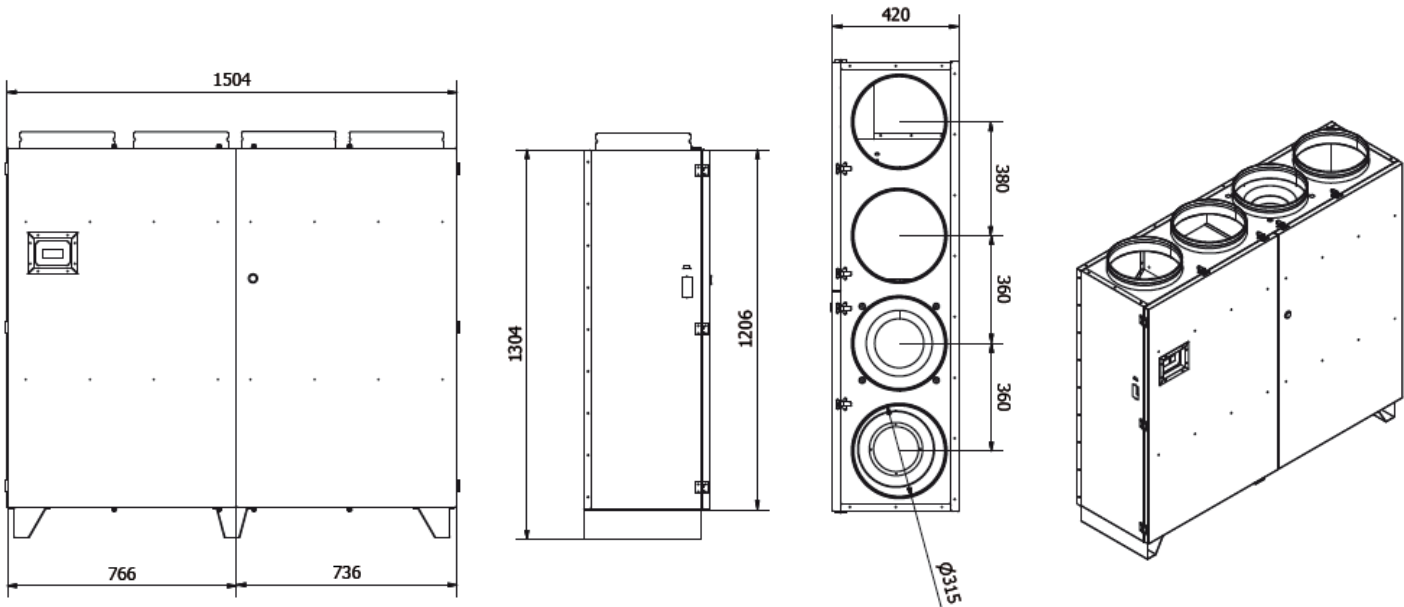
Small size  
By Pass and remote-control  
Robustness  
Silence

**EQUIPMENT**

Operating and maintenance  
Certificate of warranty  
Brackets  
Power Cable

**OPTIONS**

Different types of filters (grease, HEPA, etc.).  
External probes of air quality  
External pressure probes  
Water coils  
Post-heating devices

**FAN UNIT****MODEL**  
ECO1400**CODE**  
VCVR140V**TECHNICAL SPECIFICATIONS****DATA SHEET****DIMENSIONS**

ECO1400	WIDTH	LENGTH	HEIGHT	VENTS INPUTS	SUPPORTS	CONFIGURATION
mm	1500	1200	420	315	100	V1-V2

**CHARACTERISTICS**

PERFORMANCE	SSC
Air Flow	mc/h
Available Pressure	Pa
Thermal Efficiency	%
Voltage	V/fhase/Hz
Total Maximum Power	W
Sound pressure	dB(A)
Class Filter extraction	G4
Class Filter input	F7
Electronics	Integrated
Weight	mm
Thermoacoustic insulation	kg

\*measured in free field at 3 m (speed 100) with ducted unit

**FILTER CODE**

FILF7140V

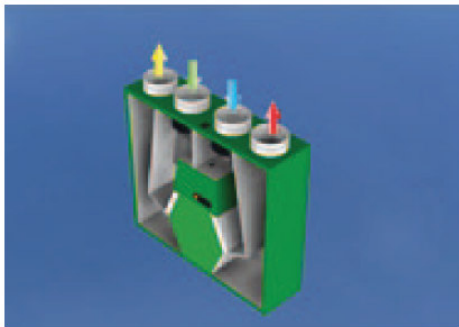
**FAN UNIT**

**MODEL**  
ECO1400

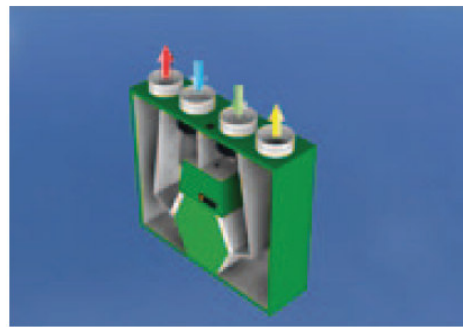
**CODE**  
VCVR140V

**CONFIGURATIONS**

■ Exhaust  
 ■ Fresh Air  
 ■ Inlet Air  
 ■ Extraction Air



V1



V2

**TECHNICAL SPECIFICATIONS**

